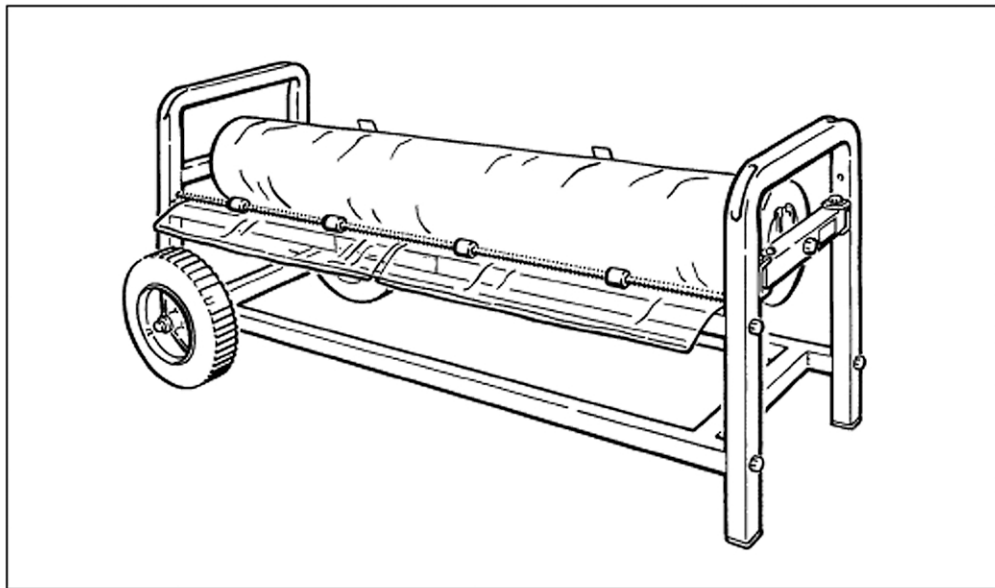


OVERSPRAY FILM MASKER



Specifications

Masker Dimensions:

Height 16-1/2 inches [425 mm]
 Width 16 inches [410 mm]
 Length 41 inches [1045 mm]

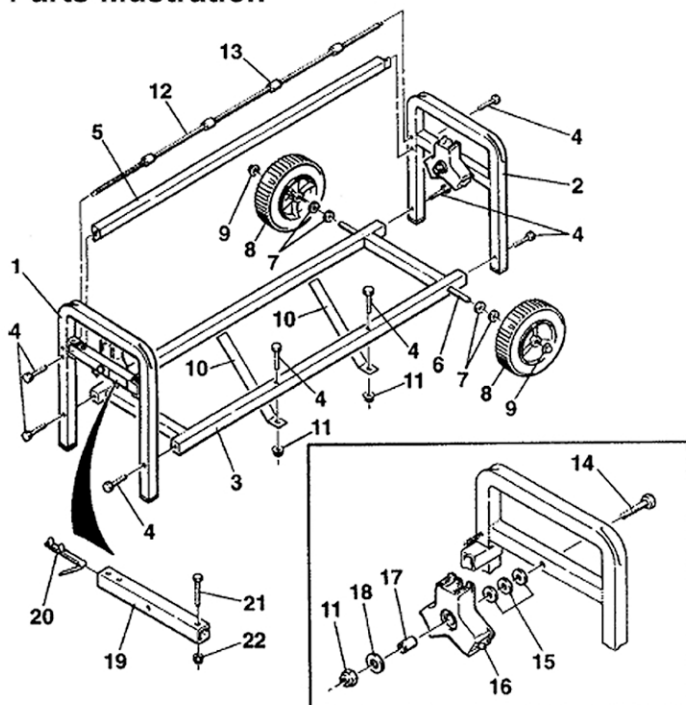
Masker Weight:

Packaged 24 pounds [10.9 kg]
 Unpackaged 20 pounds [9.1 kg]

Overspray Protective Sheeting:

Roll Diameter 5-1/2 inches [140 mm]
 Roll Width 36 inches [915 mm]
 Core Diameter 3 inches [75 mm]

Parts Illustration



Parts List

Ref. No.	Description
1	Frame – Side, R/H
2	Frame – Side, L/H
3	Base
4	Bolt – Hex Hd, M8 x 40
5	Crosstube – Front
6	Axle
7	Washer – Plain, M12 I.D.
8	Wheel – 1-3/4 In. Wide x 8 In. O.D.
9	Push Nut
10	Brake – Spring
11	Nut – M8
12	Spring – Guide
13	Spacer – Rubber
14	Bolt – Hex Hd, M8 x 50
15	Washer – Plain, M8 I.D.
16	Hub – Tape
17	Bushing – 5/16 I.D.
18	Washer – Plain, M10 I.D.
19	Crosstube – Pivoting
20	Latch – Spring
21	Bolt – Hex Hd, M8 x 50 mm
22	Nut – M8, Nylon Insert

Assembly

Important – Before assembling, note the location of the brake (10) mounting holes in the base (3) in relation to the crosstube (5) and spring (12) mounting holes in the side frames (1) and (2). Assemble as shown in illustration.

- Attach side frame (1) to base (3), **label side out**, with two M8 x 40 mm hex bolts (4). Do not tighten bolts.
- Attach side frame (2) to base (3) with two M8 x 40 mm hex bolts (4). Do not tighten bolts.
- Attach front crosstube (5), **with label facing out**, to lower set of holes in side frames with two M8 x 40 mm hex bolts. Tighten all bolts in base.
- Slide axle rod (6) through base and place two M12 I.D. plain washers (7) on each end of axle rod.

- Slide wheels (8) on each end of axle rod.

Important – Install wheels with six ribs on wheel hub towards masker frame (inside).

- Secure wheels with push nuts (9). Tap nuts on gently with a hammer until nuts bottom out.
- Install two spring steel brakes (10) to base with M8 x 40 mm hex bolts (4) and M8 hex nuts (11) as shown.
- Hook guide spring (12), with rubber spacers, into holes on each side frame.
- Assemble and install tape hubs to inside of both side frames as shown in inset drawing.

